

sCONTAINER

The customisable workshop in pallet format



» mysortimo.com/sContainer

Sortimo[®]
Intelligent Mobility

sContainer – 4 good reasons for the sContainer



• Mobile workshop with optional shelf system

• The sContainer is used as a mobile depot on construction sites or during service calls – if desired, including an organisation system. This means that tools and consumables are available directly on site. This is a great advantage for longer-term construction sites or inner city operations where it is not always possible to drive commercial vehicles to the site.

• Low acquisition and maintenance costs

• The sContainer is not only much cheaper to buy than a commercial vehicle, for example, but also cheaper to maintain. Because motor vehicle insurance and taxes do not apply. So use the mobile depot to avoid having to drive your tools, machinery and consumables back and forth every day – saving a lot of fuel costs in the process and ensuring that no equipment is left behind.



• Seamless integration into transport and logistics chains

• Because its footprint is the same format as a euro pallet, the sContainer is cost-effective to integrate into any logistics process. It can be moved by forklift trucks and transported inexpensively by lorry, ship or plane. So you can use the sContainer globally and have it delivered directly to the place of use. Your service or construction site team simply follows behind.



• Minimum footprint, maximum use of space

• The footprint of the sContainer is no larger than one euro pallet. This makes the service container a compact depot with plenty of interior space for the tightest of construction sites or service operations. Because integrating an SR5 racking system creates storage space on several levels, which can be used for tools and consumables.

sContainer – Product features

Sturdy material

The base is a massive frame that can take loads of up to 500 kg. The shell is made of powder-coated sheet steel. A plastic cover prevents the ingress of rainwater.



Ventilation

Small roof vent | Art.-Nr. 801016208
Round floor vent | Art.-Nr. 6000001283

The ventilation system ensures a constant flow of fresh air. Suitable for gas transports.

Lifting kit sContainer

Art.-Nr. 1000013967

As an option, the lifting eyes can be retrofitted so that the sContainer can also be moved around on site by crane.



Advertising space

The side walls of the sContainer are an excellent advertising space for your company. Plan your advertising decal directly yourself in our decal configurator under: mySortimo.com/graphics



Lock

Choose between three locks for the sContainer. The cheapest variant is the padlock, which ensures solid protection against theft. Alternatively, you can choose a cylinder lock or the high-end version, the electronic combination lock that does away with the need for keys.



Transport slots

The floor assembly of the sContainer is based on a euro pallet. This means the container can be picked up and transported by forklift trucks.



sContainer – Equipment for optimal organization

Interior

The interior is easily accessible through a large door. The floor is covered with resistant SoboGrip flooring. A unique feature is that components of the SR5 van racking can be installed in the interior and ensure optimum organisation and additional load securing. For an offer with the SR5 shelving system, please contact Sortimo sales advisor near you:

mySortimo.com/contact



Labeling

with *mySortimo* labels:
Individually configurable
mySortimo.com/labels

Organisation

with *mySortimo* inlays:
Individually configurable
mySortimo.com/inlay

Load securing

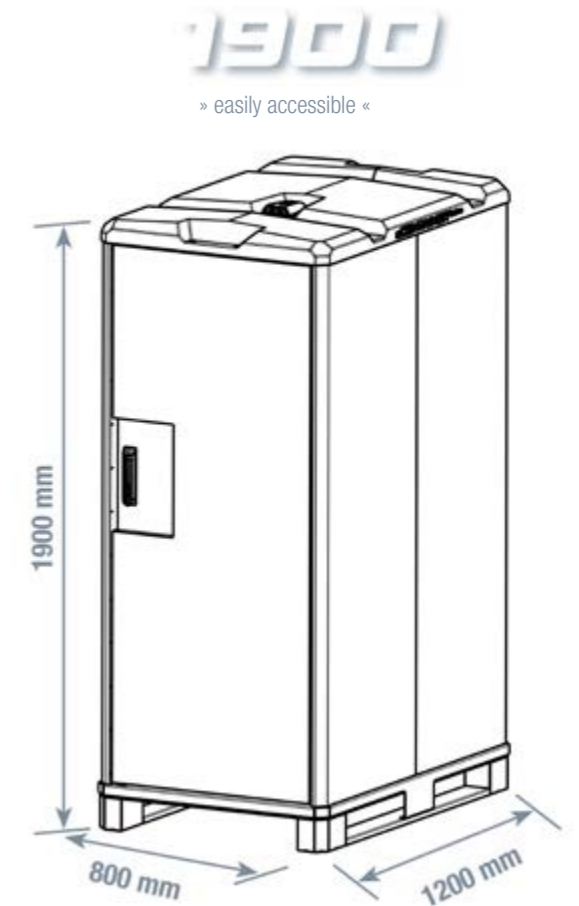
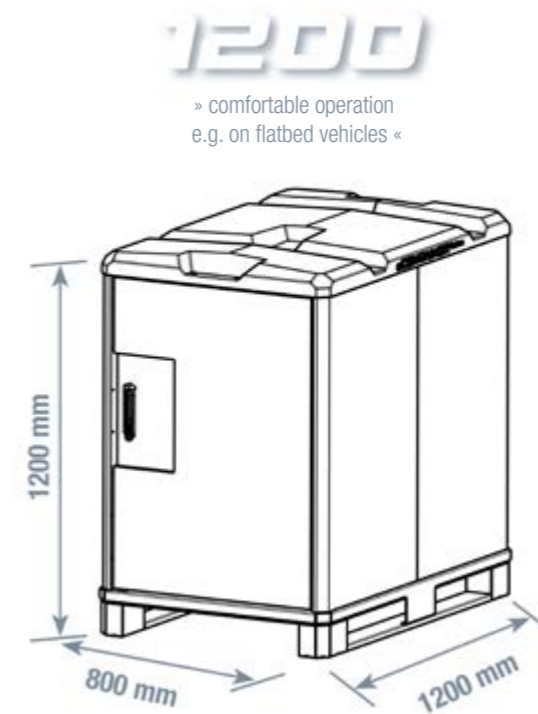
with Sortimo ProSafe:
Order online:
mySortimo.com/load-securing

Expandable

with Sortimo accessories
(holder, Round floor vent, ...)
mySortimo.com/accessories

Different heights available

The sContainer is available in heights of 1.20 m and 1.90 m. The basic dimensions, which are based on the Euro pallet dimensions, always stay the same. Depending on your needs, you can order the sContainer with different types of locking systems. Optionally, the sContainer can be provided with lifting eyes, ventilation and individual advertising stickers - depending on the purpose.

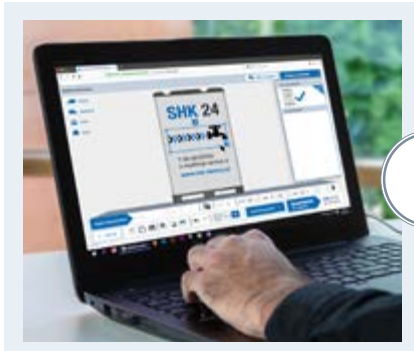


Zubehör	Article no.
i-BOXX wall holder G SCON SR5	1000014321
Hook strip 03 SCON SR5 (Other sizes are online available)	1000014317
Shelf storage SCON SR5	1000014331
Single lashing point ProSafe SCON SR5	1000014311
Lashing rail ProSafe PC 1000mm SCON SR5	1000019660

sContainer 1200 ...	Artikel-Nr.
... with a U-lock	1000016409
... with cylinder lock	1000016407
... with electronic combination lock	1000016408

sContainer 1900 ...	Artikel-Nr.
... with a U-lock	1000013961
... with cylinder lock	1000013962
... with electronic combination lock	1000013963

Contact – Get in touch with us! _____



mySortimo graphics

Design your sContainer individually according to your wishes!

The sContainer also provides a large area for company logos or advertising graphics, which we would be happy to create for you or which you can order yourself using the **mySortimo graphics** sticker configurator.

Configure now online >> mysortimo.com/graphics




sContainer – simply practical

Individual, mobile, tidy and with generous use of space, the sContainer is a flexible companion for service technicians, craftsmen and construction workers. Can be retrofitted at any time with accessories such as hooks and holders. Get information and order online right now: >> mysortimo.com/sContainer

We would be happy to advise you personally!

You can contact us free of charge from Germany at:

Tel: 0800 7678466 | E-Mail: info@sortimo.com | Fax: 0800 7678499 | >> mysortimo.com/contact

Sortimo promise to you   **MADE IN GERMANY** 

Made in Germany | Realistic crash tests and proven safety | Best quality and high-grade materials from the market leader | Best service, thanks to nationwide sales network and customer service centres | Attractive financing models | Vehicle management in the mySortimo account with an overview of all orders and stock lists | Dialogue with van racking experts and industry colleagues via the mySortimo community | Industry-specific, versatile range of accessories for the vehicle and to take to the workplace | Comfortable and fast reordering of accessories and services via mySortimo.com